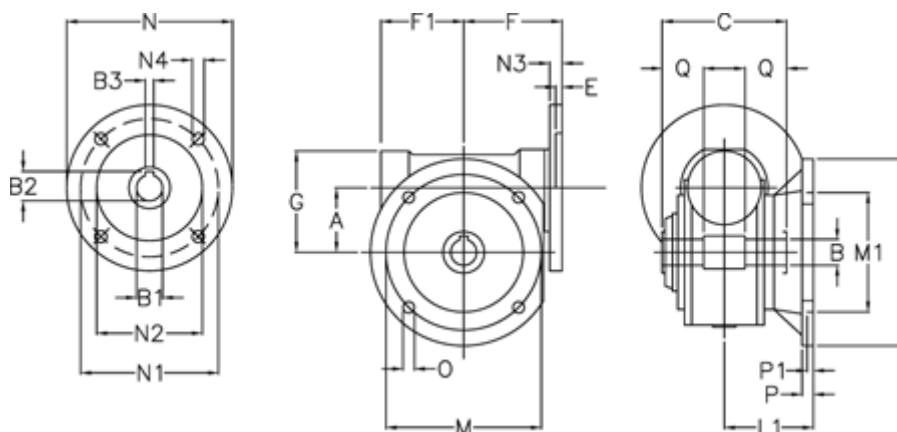


Article number: 390213002054510

Description: Worm gear  
VF 130-FC2-20-112B5, without lubrication

## Measures



A = 130	F1 = 154	N2 = 180
B = 45 H7	G = 195	N3 = 17
B1 E7 = 28	L = 320	N4 = 13
B2 = 31.3	L1 = 137.5	O = 16
B3 H9 = 8	M = 255	P = 20
C = 165	M1 = 180	P1 = 12
E = 0.5	N = 250	Q = 52.5
F = 185	N1 = 215	